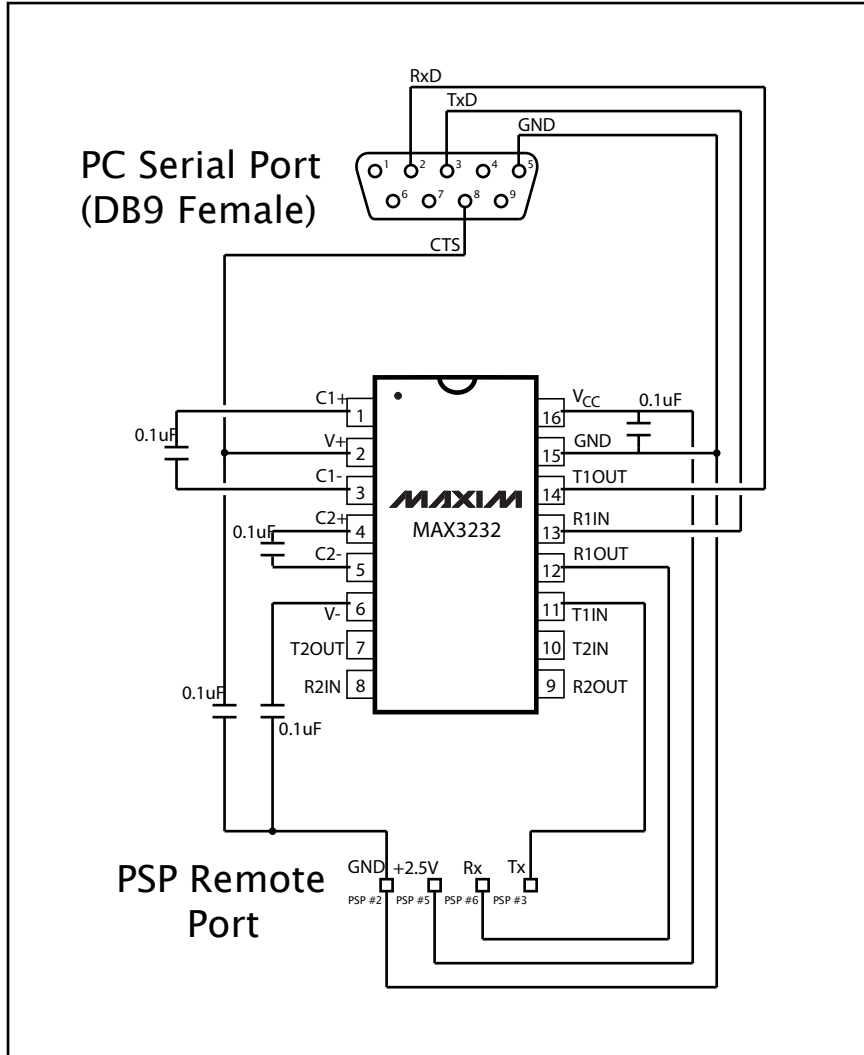


PSP/RS232 Serial Converter



Notes:

1. The pin names on the ports are the ones from the external device (PC, PSP). Hence, on this diagram, Rx[D] is really an output and Tx[D] an input.

2. Use ceramic capacitors with typical max voltage value of at least 16V. Non polarized capacitors are preferred. If you use polarized, please look at the MAX3232 data-sheet.

3. MAX3232 datasheet available from: <http://pdfserv.maxim-ic.com/en/ds/MAX3222-MAX3241.pdf>

4. For PSP port pin numbers, see: <http://mc.pp.se/psp/phones.shtml>

5. For additional information, see: <http://nil.rpc1.org/psp/>